

TS 1500

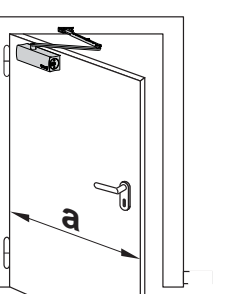


101827-08

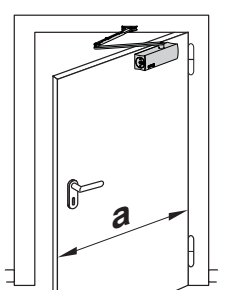


**A**

**B**



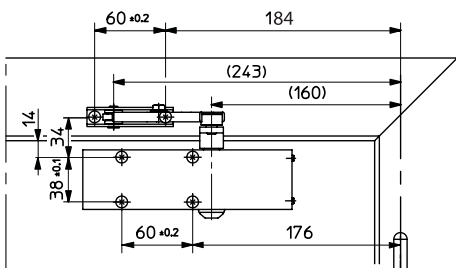
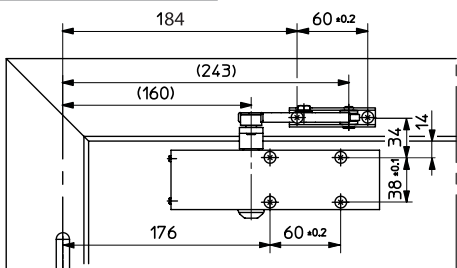
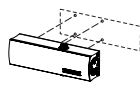
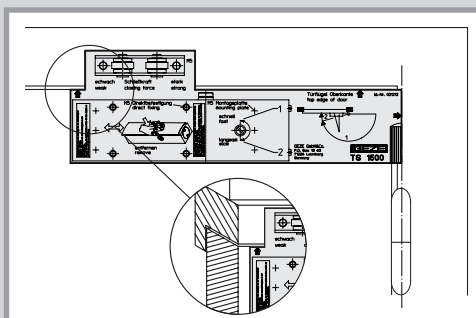
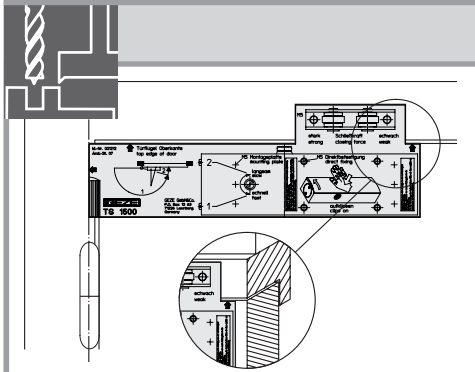
$a \leq 1100 \text{ mm}$



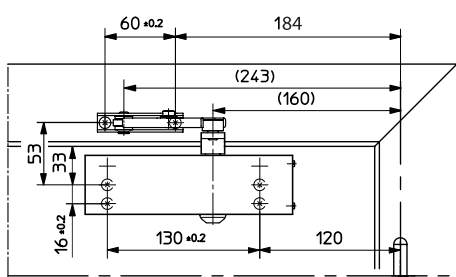
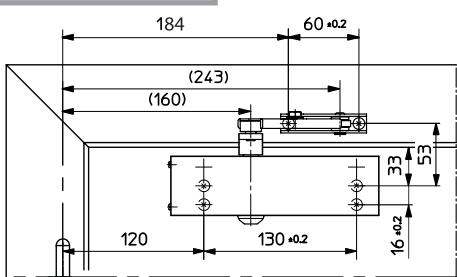
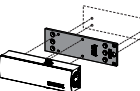
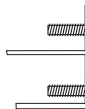
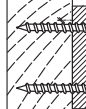
$a \leq 1100 \text{ mm}$

**i**

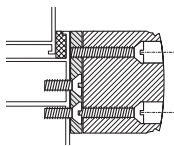
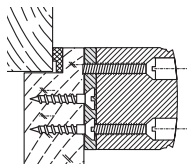
|                 |                                 |               |
|-----------------|---------------------------------|---------------|
| CE              | GEZE GmbH                       | 11            |
|                 | P.O. Box 1363<br>71226 Leonberg |               |
| 0672-CPD-0120   | EN 1154                         | 4 8 4/3 1 1 3 |
| Substanz: ----- |                                 |               |



- 4x 5x52
- 4x M5x42

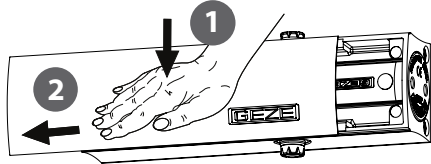


- 4x 5x35
- 4x M5x20

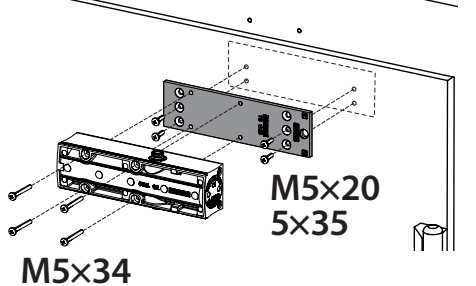
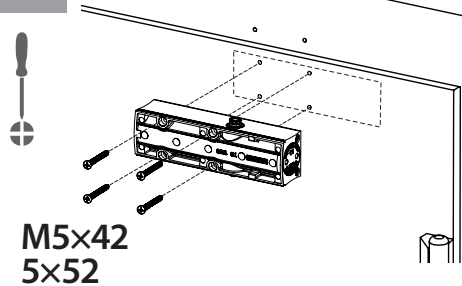


- 4x M5x34

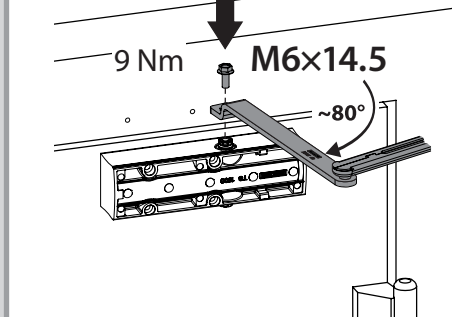
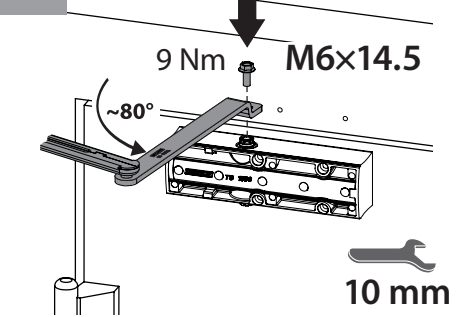
**1**



**2**

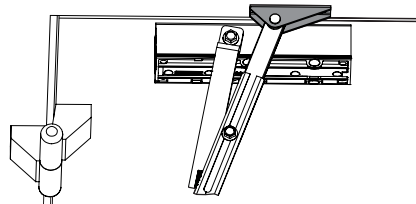


**3**

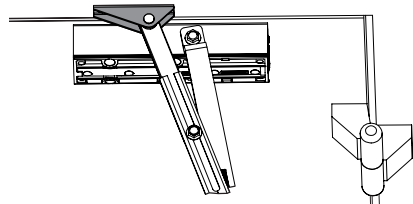


4

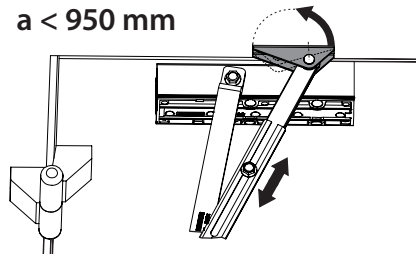
a = 950 - 1100 mm



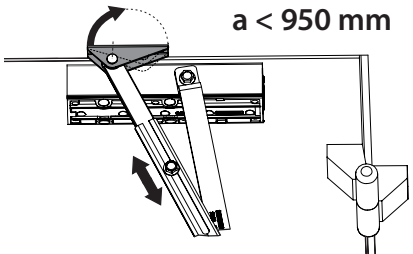
a = 950 - 1100 mm



a < 950 mm

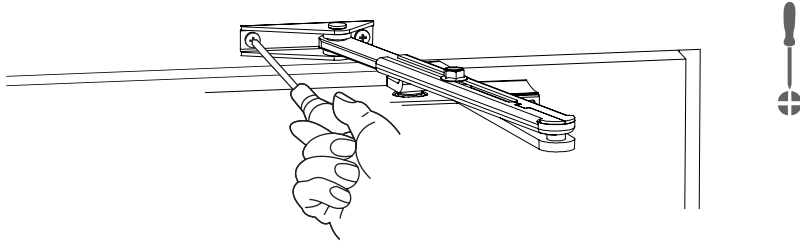


a < 950 mm

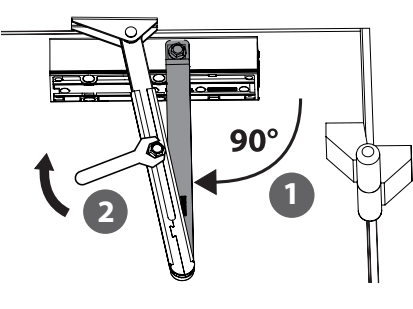
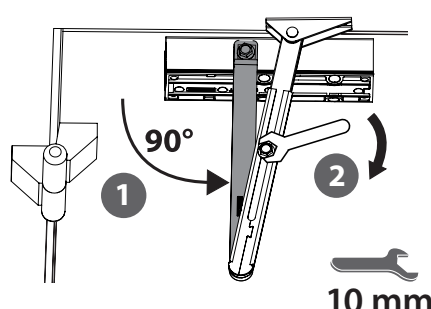


5

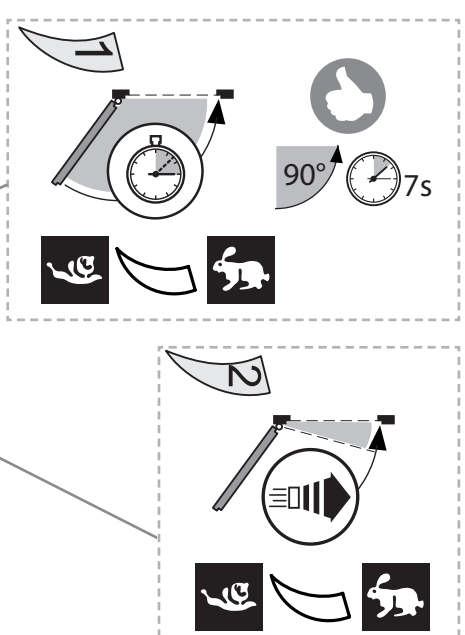
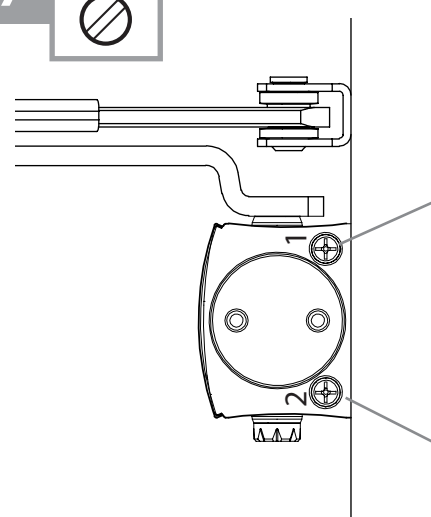
- 2x  
5x20
- 2x  
M5x16



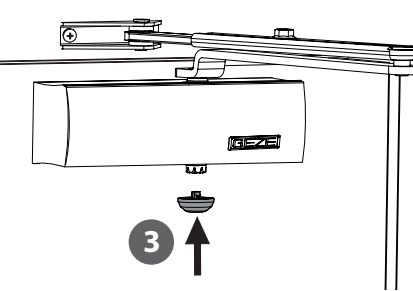
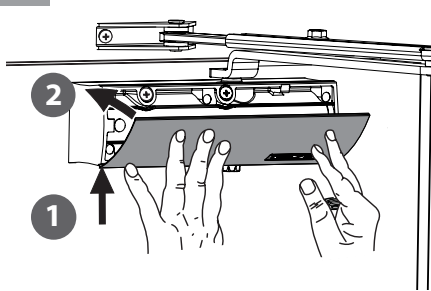
6



7



8



i

